

American Lead and Solder Supply Co

Lead, Solder and Soldering and Supplies

7056 Archibald Ave. Ste. 102-434 - Eastvale, CA. 92880



Aero Duplex Soldering Torch with #12 Copper Iron

3/8 - 24 L.H. Hose Connection



Aero Duplex Soldering Torch with #12 Copper Iron

Slip-On Connection



Aero Duplex Soldering Torch Kit

#13

Make your own kit!

Kit comes with one Aero Duplex Soldering Torch and your choice of:

Copper Iron Tips (1 1/4lb. or 3/4lb.)

Regulator (B-Regulator or "MC" Regulator)

Hose (12.5ft or 25ft)

Striker



Pointy Iron 1-1/4lbs

#11 Replacement Copper Iron



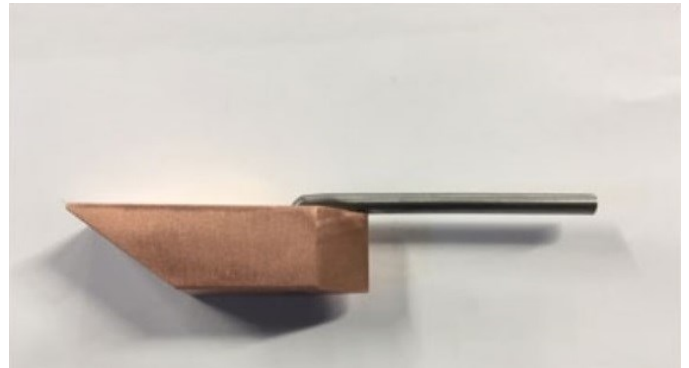
Pointy Iron 3/4lbs

#12 Replacement Copper Iron Forged



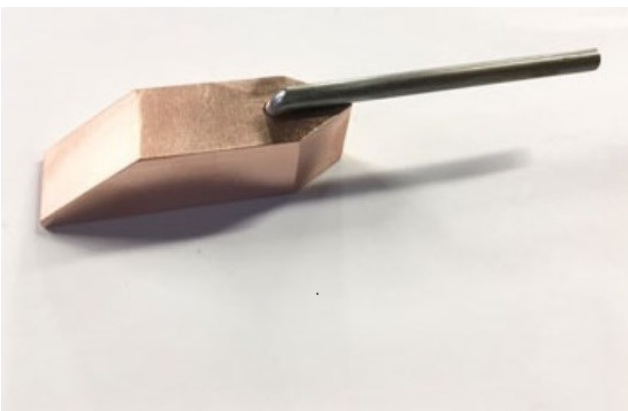
Axe Iron

Replacement Copper Iron



#12 Special Flat Iron

Replacement Copper Iron



#12 Flat Iron

Replacement Copper Iron



Acetylene Hose

#AH3 12-1/2' #AH4 25'

Acetylene B-Regulator

#440G

With contents gauge and 3/8" L.H. "A" outlet.

Aero Acetylene Regulators are precision made and machined from solid brass, and are available for 10 cubic foot "MC" (CGA200) and 40 cubic foot "B" (CGA 520) Acetylene Cylinders. Each regulator may be ordered with or without a calibrated, shatter-proof contents gauge. These adjustable regulators are designed to deliver a constant pressure up to 15 PSIG.



Acetylene "MC" Regulator

#410G

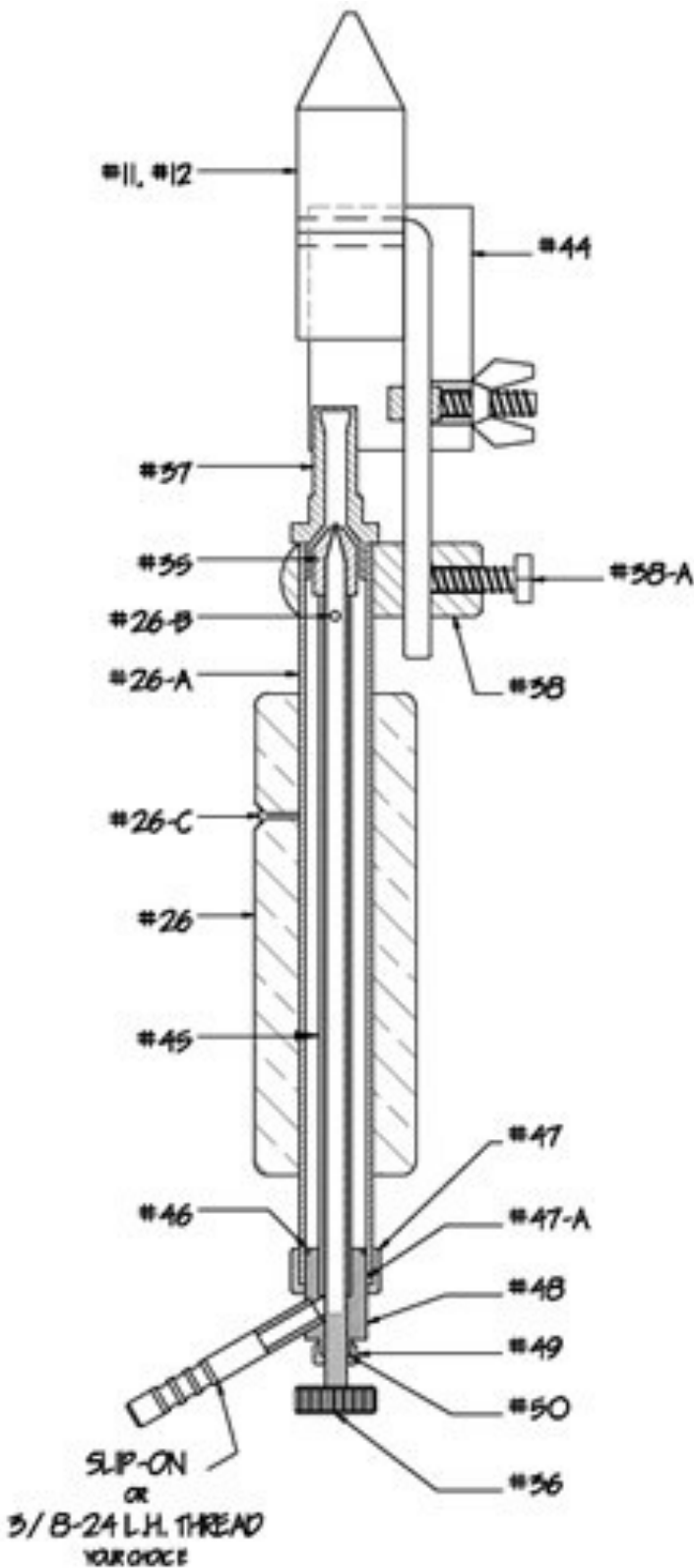
With contents gauge and 3/8" L.H. "A" outlet.

Aero Acetylene Regulators are precision made and machined from solid brass, and are available for 10 cubic foot "MC" (CGA200) and 40 cubic foot "B" (CGA 520) Acetylene Cylinders. Each regulator may be ordered with or without a calibrated, shatter-proof contents gauge. These adjustable regulators are designed to deliver a constant pressure up to 15 PSIG.



Striker

#AH5



Part #	Part Description
#11	Pointy Iron 1-1/4lbs.
#12	Pointy Iron 3/4lbs.
#26	Handle
#26-A	Handle Pipe
#26-B	Jacket Locating Screw
#26-C	Locking Screw
#35	Triangular Tip
#36	Needle Shut-Off Rod
#37	Sieve Burner
#38	Jacket for Holding Copper
#38-A	Set Screw for Jacket (Stainless Steel)
#44	Windshield Assembly Complete
#45	Gas Tube
#46	Spring Ring for Swivel Nut
#47	Swivel Nut
#47-A	Bushing for Swivel Nut
#48	Valve Housing & Hose Connection
#49	Packing Nut
#50	Packing

